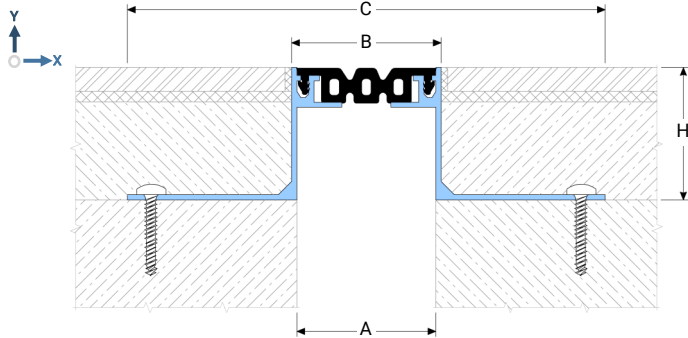


Joint width  
20-95 mmRecess  
mountedMovements  
in 6 planesIndoor/  
outdoor

## DESIGNATIONS

- A – nominal joint width;
- B – visible width;
- C – width seat;
- H – installation height;
- $M_x$  – horizontal movements;
- $M_y$  – vertical movements.

Profile	A (mm)	B (mm)	C (mm)	H <sup>1</sup> (mm)	Movements		Permissible loads (kN)			
					$M_x$ (mm)	$M_y$ (mm)				
SV 21/20/... <sup>1</sup>	20	25	150	15 / 20 / 30 / 50 / h <sup>2</sup>	4 (+2/-2)	4 (+2/-2)	30 <sup>3,4</sup>	100 <sup>3,4</sup>	50 <sup>3,4</sup>	–
SV 21/25/... <sup>1</sup>	25	30	155	15 / 20 / 30 / 50 / h <sup>2</sup>	6 (+3/-3)	4 (+2/-2)	30 <sup>3,4</sup>	100 <sup>3,4</sup>	50 <sup>3,4</sup>	–
SV 21/30/... <sup>1</sup>	30	35	160	15 / 20 / 30 / 50 / h <sup>2</sup>	10 (+5/-5)	4 (+2/-2)	30 <sup>3,4</sup>	100 <sup>3,4</sup>	50 <sup>3,4</sup>	–
SV 21/40/... <sup>1</sup>	40	45	165	15 / 20 / 30 / 50 / h <sup>2</sup>	12 (+6/-6)	4 (+2/-2)	30 <sup>3,4</sup>	100 <sup>3,4</sup>	50 <sup>3,4</sup>	–
SV 21/45/... <sup>1</sup>	45	50	170	15 / 20 / 30 / 50 / 70 / 80 / 100 / h <sup>2</sup>	16 (+8/-8)	4 (+2/-2)	30 <sup>3,4</sup>	100 <sup>3,4</sup>	50 <sup>3,4</sup>	–
SV 21/50/... <sup>1</sup>	50	55	175	15 / 20 / 30 / 50 / 70 / 80 / 100 / h <sup>2</sup>	20 (+10/-10)	4 (+2/-2)	30 <sup>3,4</sup>	100 <sup>3,4</sup>	–	–
SV 21/65/... <sup>1</sup>	65	70	190	15 / 20 / 30 / 50 / 70 / 80 / 100 / h <sup>2</sup>	24 (+10/-14)	4 (+2/-2)	30 <sup>3,4</sup>	–	–	–
SV 21/95/... <sup>1</sup>	95	100	220	15 / 20 / 30 / 50 / 70 / 80 / 100 / h <sup>2</sup>	30 (+14/-16)	4 (+2/-2)	–	–	–	–

<sup>1</sup> ... – installation height to choose from standard (see H)

<sup>2</sup> Mounting height of the profile on request, where "h" is a value in mm (selectable in the range from 50 to 200 mm), designated by the SV-H index (see "execution options" #3).

<sup>3</sup> Not for permanent use for heights from 15 to 30 mm (approval required) - at high loads, cracking of the finish coating over the profile is possible.

<sup>4</sup> High traffic intensity is not recommended, choose profiles from the Dewmark Heavy, Hydro or Metall series.

## TECHNICAL DATA

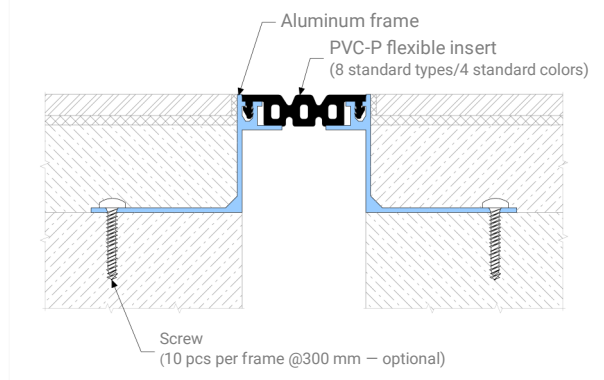
FRAME	Material	Aluminum EN AW 6063 T6			
	Strength, MPa	$\sigma_B=250$			
	Tolerances	EN 12020-2:2008			
	Length, m	3,0			
	Tooling	Perforated holes			
	Surface coat	Without coating			
	Fasteners	Included			
FLEXIBLE INSERT <sup>6</sup>	Material	PVC-P			
	Resistant <sup>7</sup>	-30...+100 °C, UV+O <sub>3</sub> – resistant			
	Length, m	20 meters per roll			
	Color <sup>5</sup>	9005	7035	7037	1015

<sup>5</sup> On request, the insert can be made in any RAL color (ask for details).

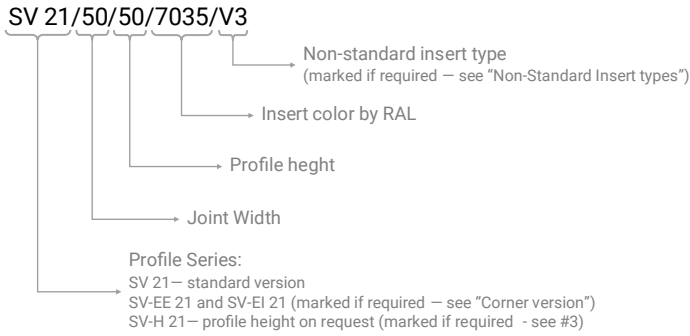
<sup>6</sup> On request it is possible to manufacture inserts with other geometries (see "Non-standard insert types").

<sup>7</sup> The insert can be made of bitumen-resistant PVC (NB index – ask for details).

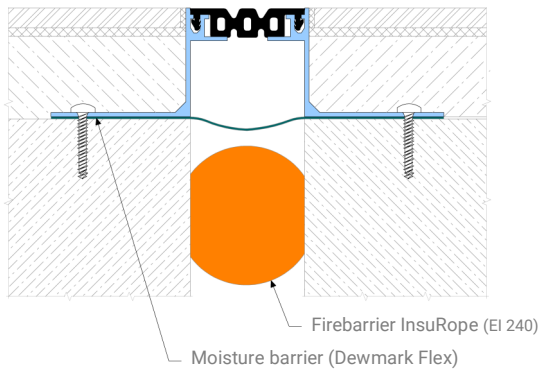
## EQUIPMENT PROFILE



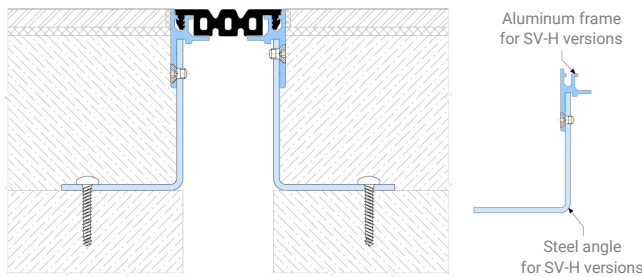
DESCRIPTION



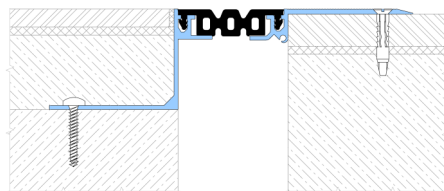
- Using a moisture barrier for waterproofing an expansion joint.
- Use of a fire barrier with a fire resistance rating of up to EI 240.



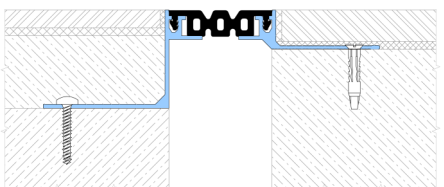
- The profile can be made to order for the required height from 50 to 200 mm. In this case, it is completed with an assembled frame consisting of an aluminum guide and a steel angle.



- Recess - top mounted profile version (SV 21-22). Example: SV 21-22/50/50/9005



- Different height version of the profile. Example: SV 21/50/50-20/9005

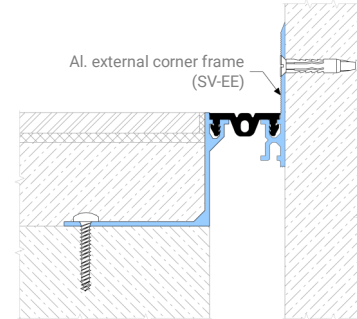


CORNER VERSION

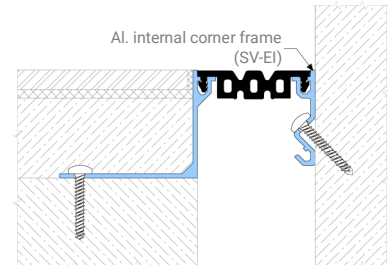
Profiles have corner versions for Floor-to-wall connections (joint along the wall). These profiles have an index:

- For external version "EE": SV-EE;
- For internal version "EI": SV-EI (only for joints with a width of 45 mm).

Example: SV-EE 21/30/50/9005

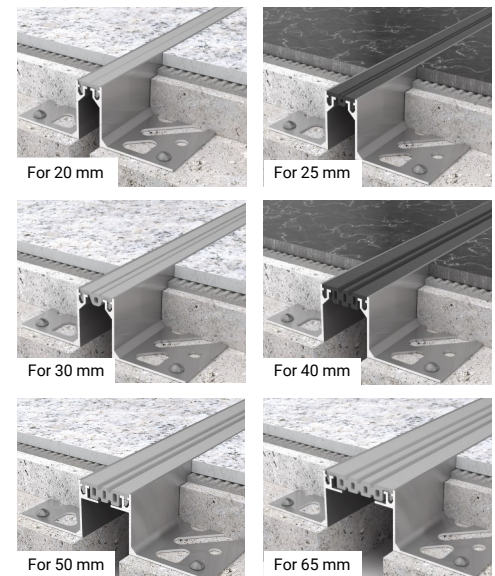


Example: SV-EI 21/50/50/9005



EXECUTION OPTIONS

STANDARD INSERT TYPES



NON-STANDARD INSERT TYPES

