



**DEWMARK
HEAVY**

SV 41/115



Joint width
115 mm



Recess
mounted



Max load
50 kN



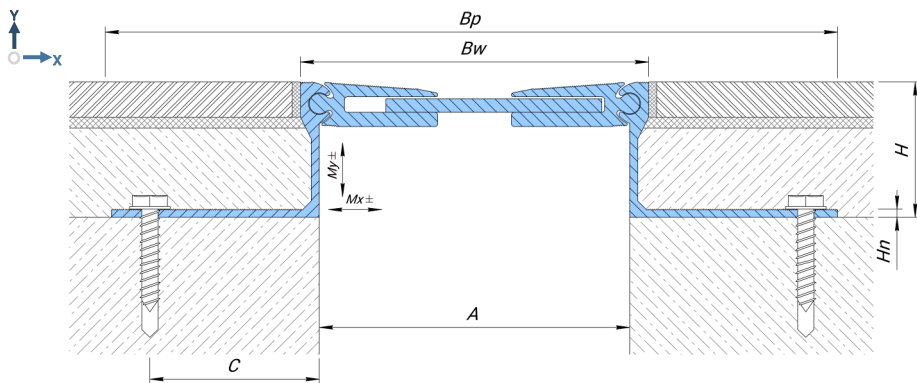
Movements in
3 directions



Protection
rating IP 30



Indoor/
outdoor



Technical data

MATERIAL

Aluminium EN AW 6060T6

LENGTH

3 meters

STANDARD COLOR

silvery white

Profile	A (mm)	Bw (mm)	Bp (mm)	H (mm)	Hn (mm)	C (mm)	Mx (mm)	My (mm)	Load bearing capacity, kN
SV 41/115/16	115	130	245	16	2,3	50	24 (+12/-12)	20 (+10/-10)	30 ¹
SV 41/115/20	115	130	264	20	3	60	24 (+12/-12)	20 (+10/-10)	30 ¹
SV 41/115/25	115	130	260	25	3	60	24 (+12/-12)	20 (+10/-10)	30 ¹
SV 41/115/34	115	130	270	34	3	60	24 (+12/-12)	20 (+10/-10)	50 ¹
SV 41/115/50	115	130	268	50	3	60	24 (+12/-12)	20 (+10/-10)	50
SV 41/115/70	115	130	265	70	3,5	60	24 (+12/-12)	20 (+10/-10)	50
SV 41/115/80	115	130	269	80	3,5	60	24 (+12/-12)	20 (+10/-10)	50
SV 41/115/100	115	130	265	100	4	60	24 (+12/-12)	20 (+10/-10)	50
SV 41/115/120	115	130	265	120	4	60	24 (+12/-12)	20 (+10/-10)	50
SV 41/115/150	115	130	273	150	4,5	60	24 (+12/-12)	20 (+10/-10)	50

¹Not for permanent use (requires coordination) - the risk of breaking off the topcoat

On request

Other profile heights on request

Protective anodizing profile

Corner versions

All profiles have an corner version (wall to floor under an angle of 90 degrees).

One of the guides is replaced by an corner guide. This profile is denoted by the index "E":

example *SV-E 41/115/50*

