



DEWMARK
HYDRO

WR 78/30



Joint width
30 mm



Top
mounted



Max load
300 kN



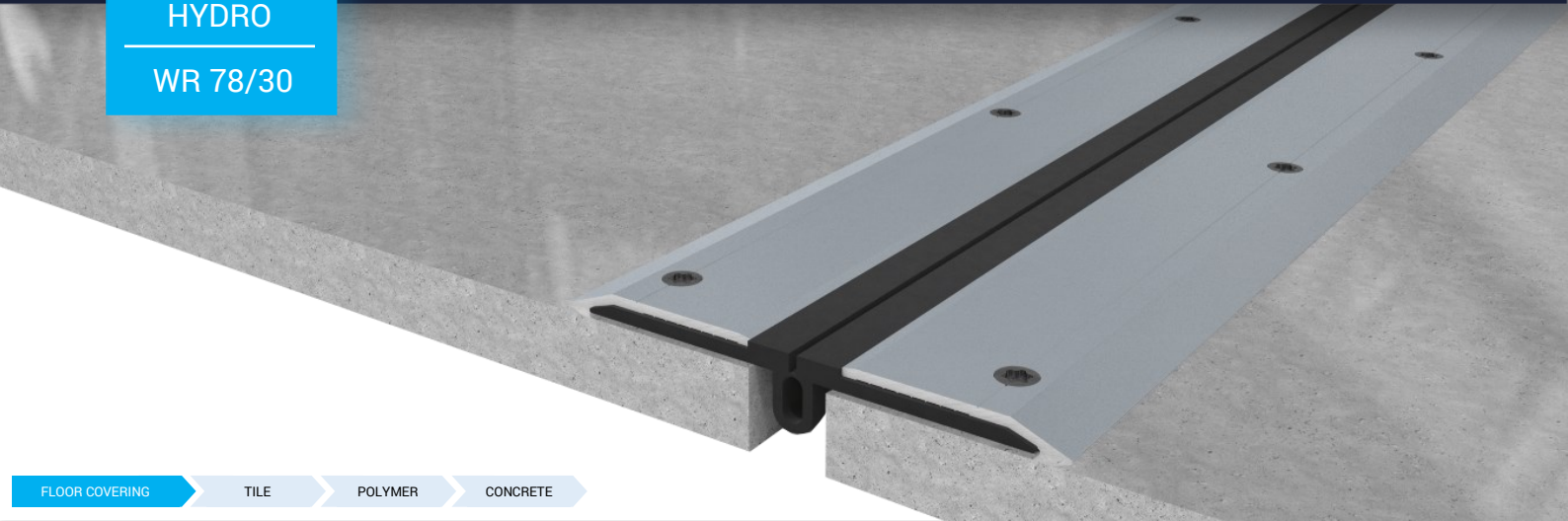
Movements in
6 directions



Protection
rating IP 66



Indoor/
outdoor

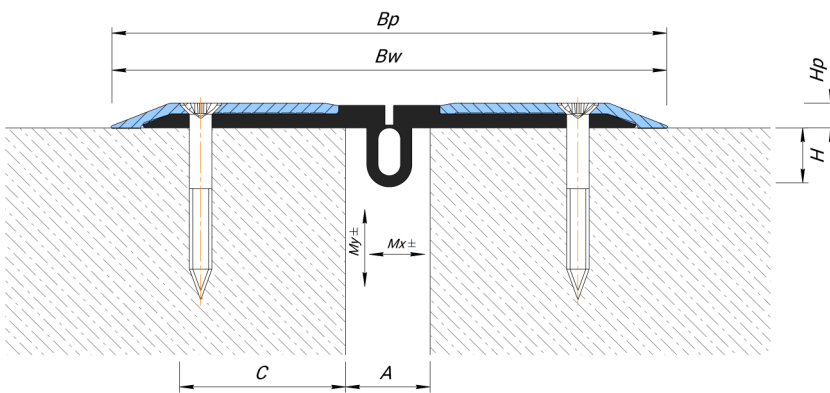


FLOOR COVERING

TILE

POLYMER

CONCRETE



Technical data

MATERIAL

Profile: aluminium EN AW 6060T6

Insert: PVC-P (oil and petrol resistant)

LENGTH

Profile: 2.5 meters

Insert: 20 meters

STANDARD COLOR OF INSERT (RAL)

9005

Profile	A (mm)	Bw (mm)	Bp (mm)	C (mm)	H (mm)	Hp (mm)	Mx (mm)	My (mm)	Load bearing capacity, kN			
WR 78/30 AL ¹	30	198	198	50	20	8	20 (+10/-10)	20 (+10/-10)	50	300	70	—
WR 78/30 BS ¹	30	198	198	50	20	8	20 (+10/-10)	20 (+10/-10)	50	300	70	—
WR 78/30 SS ¹	30	198	198	50	20	8	20 (+10/-10)	20 (+10/-10)	50	300	70	—

Profile versions

¹ Clamping plates can be made of three types of materials:

- Aluminum: index "AL";
- Painted black steel S2354: index "BS"
- AISI 430 stainless steel: index "SS"
(AISI 304 or 316 steel can be applied on request).

NOTE!

! To create a reliable waterproofing contour (IP rating 66 and higher), it is recommended to glue the flexible insert with epoxy glue.

Corner Versions

All profiles have angular versions in which the regular insert is replaced with an angular one. This profile has an E index.

Example: WR-E 78/30

