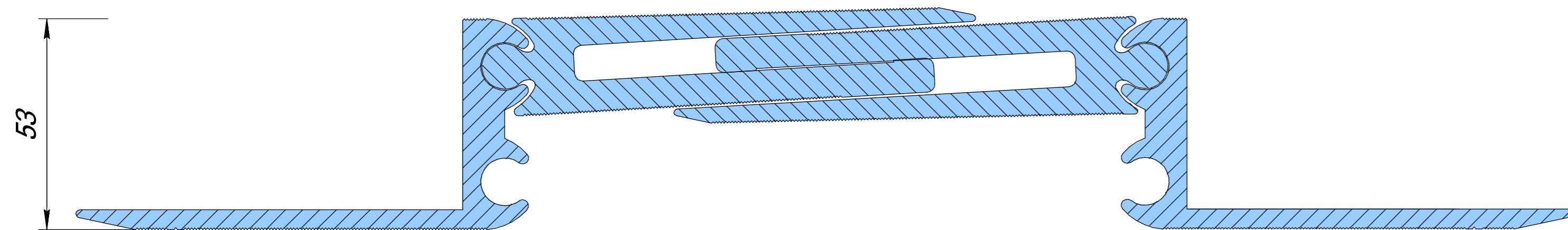
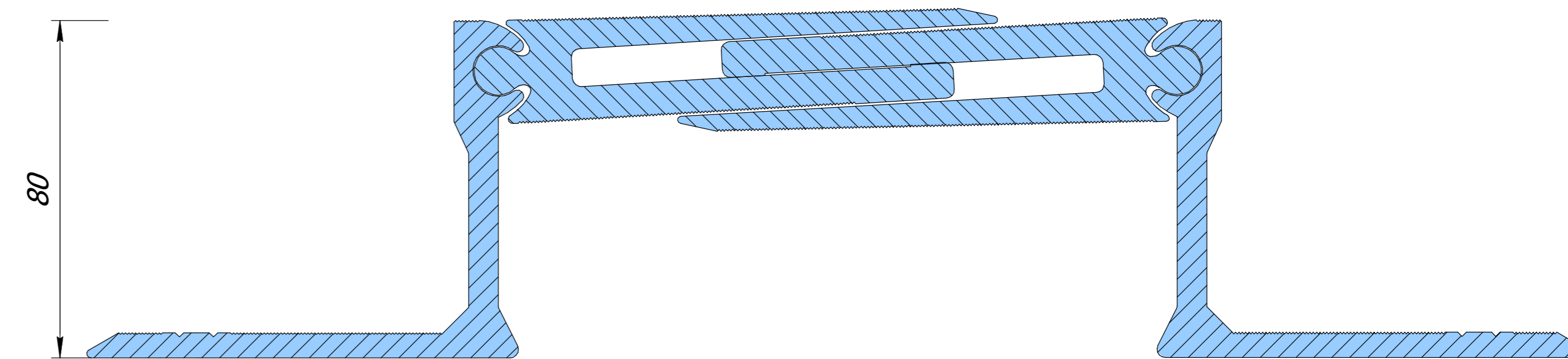


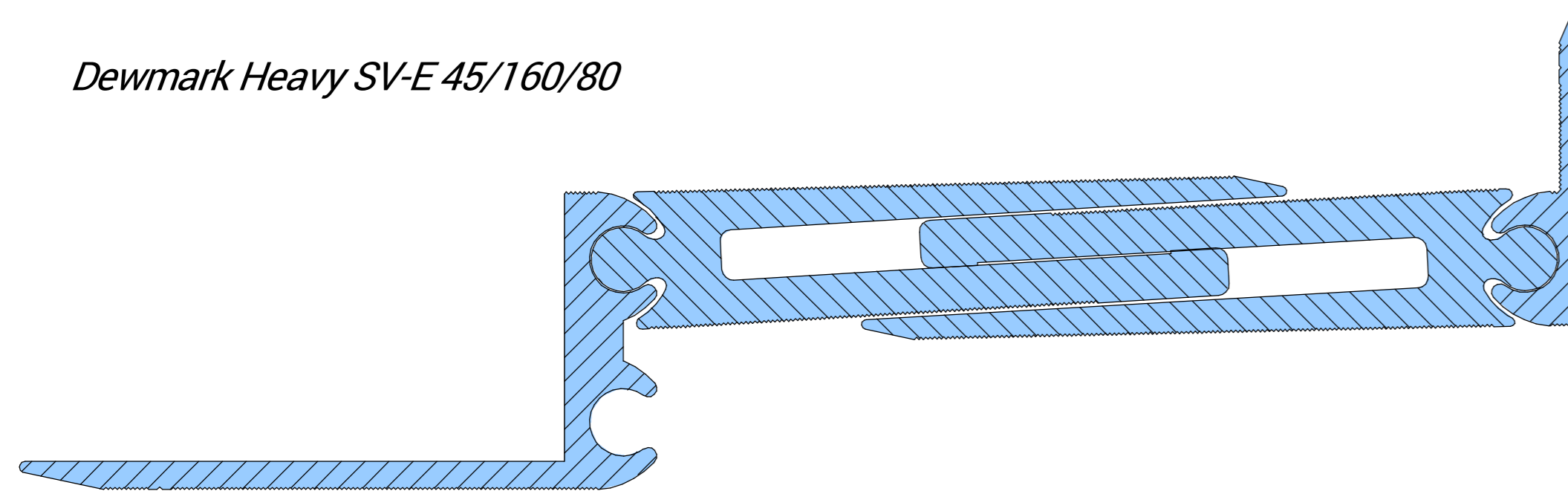
*Dewmark Heavy SV 45/160/53*



*Dewmark Heavy SV 45/160/80*



*Dewmark Heavy SV-E 45/160/80*



*Dewmark Heavy SV-E 45/160/80*

