



DEWMARK
STANDART

SV 28



For seismic
zone



Joint width
50-500 mm



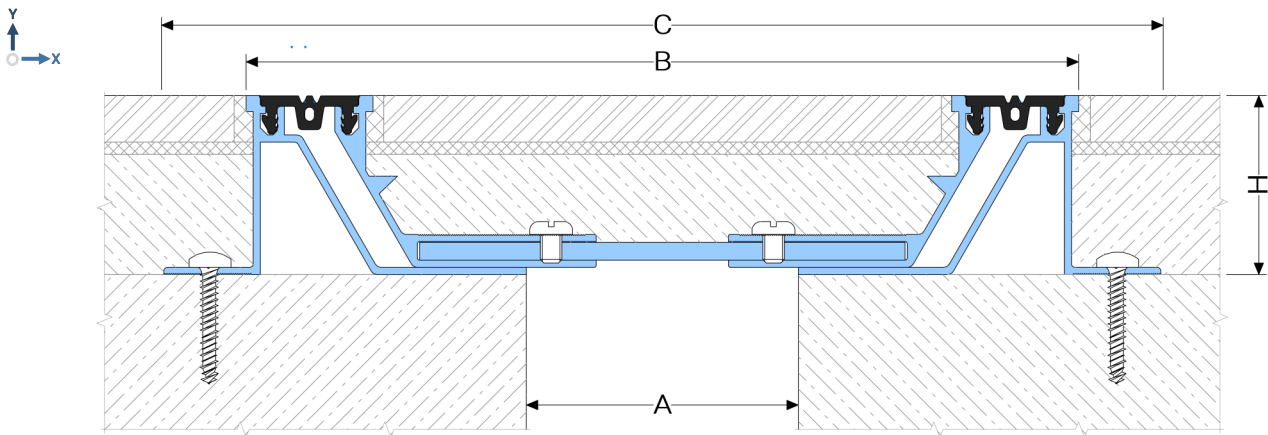
Recess
mounted



Movements in 3
directions



Indoor/
outdoor



Profile	A ¹ (mm)	B (mm)	C (mm)	H (mm)	Mx (mm)	Ms ² (mm)
SV 28/50/25/50	50	217	263	50	12 (+6/-6)	90 (+30/-60)
SV 28/100/25/50	100	267	313	50	12 (+6/-6)	90 (+30/-60)
SV 28/150/25/50	150	317	363	50	12 (+6/-6)	90 (+30/-60)
SV 28/200/25/50	200	367	413	50	12 (+6/-6)	90 (+30/-60)
SV 28/300/25/50	300	467	513	50	12 (+6/-6)	90 (+30/-60)
SV 28/400/25/50	400	567	613	50	12 (+6/-6)	90 (+30/-60)
SV 28/500/25/50	500	767	713	50	12 (+6/-6)	90 (+30/-60)

Technical data		
MATERIAL		
Profile: aluminium EN AW 6063T66, Insert: PVC-P (ozone and UV resistant)		
LENGTH		
Profile: 3 meters		
STANDARD COLOR OF INCERT (RAL)		
9005	7035	1015

¹ A - The profile can be made to any specific expansion joint width from 50 mm. Request additional data.

² Ms - Request data on possible seismic movements.

Description

The Dewmark Standart SV 28 profile is a simplified version of the SV 29 profile and is supplied without a center bar.

Suitable for most types of floor coverings and is able to withstand significant loads and traffic.

Corner version

All profiles have an corner version (floor to wall under an angle of 90 degrees). This profile is denoted by the index "E":
example SV-E 28/100/25/50

Note

! With heavy traffic, the flexible insert is subject to wear.

Optional

The profile can be completed with:

- Fasteners.
- Moisture barrier.
- Fire barrier (up to EI 240 – 4 hours).

On request

On request:

- Color of insert by RAL (see www.ral.de).
- On request, the profile is made for the required expansion joint width and possible movements.